

## STP 120 03

codice  
code



Struttura a terra STAND 120 cm in metallo verniciato completa di mensola "misura" 100 cm con 2 fori, e piano in rovere integrato.

Floor painted metal structure STAND 120 cm provided with ceramic custom made shelf 100 cm with two holes and oak top.

bianco opaco/ matt white

STP 120B 03

antracite/ anthracite

STP 120G 03



Mensola MISURA disponibile in tutte le varianti "COLORS 1250" e "Le malteceramiche"

MISURA shelf available in all "COLORS 1250" end "Le malteceramiche"

Struttura a terra STAND 120 cm in metallo verniciato completa di mensola "misura" 100 cm con 2 fori, e piano bianco integrato.

Floor painted metal structure STAND 120 cm provided with ceramic custom made shelf 100 cm with two holes and white top.

bianco opaco/ matt white

STP 120BB 03

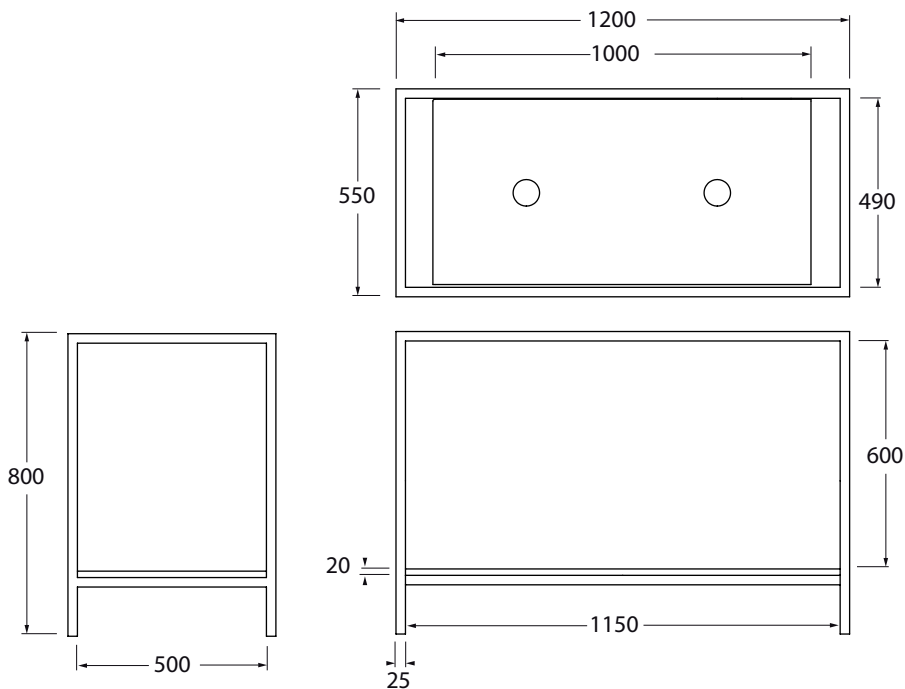
antracite/ anthracite

STP 120GB 03

Cm 120x55x80

plt Italy pz. - plt export pcs.

kg 63



scala/scale 1:20 dimensioni/dimensions in mm

### Gamma di colori disponibile per mensola "MISURA"

Color range available for MISURA shelf

#### COLORS 1250°



#### SHINE



### Gamma di colori disponibile per MOBILE

Color range available for FURNITURE



### Gamma di colori disponibile per STRUTTURA

Color range available for STRUCTURE



|   |                         |                  |                            |  |
|---|-------------------------|------------------|----------------------------|--|
| TECHNICAL SHEET n° 01   | DESIGNER STUDIO STORAGE | CODE: STP 120 03 |                            | Azzurra sanitari in ceramica S.p.a.<br>via Civita Castellana snc 01030<br>Castel S.Elia (VT) - ITALY<br>Tel.+39.0761 518155<br>Fax.+39.0761 514560 |
| SHEET FORMAT: A4  | ISO                     | REVISION: 01     | SCALE 1:20 DATE 25/09/2019 |  |
| REGULATIONS   |                         |                  |                            |  |
| All the measurements respect the tolerances provided by the "AZZURRA QUALITY GUIDELINES". |                         |                  |                            |  |

